

**Bible Story 16**

# **HAGAR AND ISHMAEL**

**GENESIS 16**

## 16. HAGAR AND ISHMAEL (GENESIS 16)



"And the angel of the LORD found her by a fountain of water in the wilderness, by the fountain in the way to Shur. And he said, Hagar, Sarai's maid, whence camest thou? And whither wilt thou go? And she said, I flee from the face of my mistress Sarai."

**GENESIS 16:7-8**

# 16. HAGAR AND ISHMAEL

## (GENESIS 16)

### MEMORY VERSE:

*"Then she called the name of the LORD who spoke to her, You-Are-the-God-Who-Sees; for she said, 'Have I also here seen Him who sees me?' "* GENESIS 16:13

### CIRCLE THE CORRECT WORDS:

1. "Now Sarai, Abram's wife, had borne him no children. And she had an Egyptian maidservant whose name was (**HAG, HAGAR**). " GENESIS 16:1
2. "Sarai said to Abram, 'I have become (**DESPISED, LOVED**) in her eyes.' " GENESIS 16:5

### FILL IN THE BLANK:

3. "So Abram said to Sarai, 'Indeed your maid is in your hand; do to her as you please.' And when Sarai dealt harshly with her, she \_\_\_\_\_ from her presence." GENESIS 16:6

### UNDERLINE THE ALL THE CORRECT ANSWERS:

4. "Now the Angel of the LORD found her..." GENESIS 16:7

**BY A SPRING OF WATER IN THE WILDERNESS  
UNDERNEATH A TREE  
BY THE SPRING ON THE WAY TO SHUR**

### TRUE OR FALSE:

5. "The Angel of the LORD said to her, 'Return to your mistress, and submit yourself under her hand.' " GENESIS 16:9  
**TRUE OR FALSE**
6. "Then the Angel of the LORD said to her, 'I will multiply your descendants exceedingly, so that they shall not be counted for multitude.' " GENESIS 16:10  
**TRUE OR FALSE**

7. **CIRCLE T or F** "And the Angel of the LORD said to her:..." GENESIS 16:11-12

- |  |   |   |
|--|---|---|
| * Behold, you are with child   | T | F |
| * And you shall bear a son   | T | F |
| * You shall call his name Ishmael                                      | T | F |
| * The LORD has not heard your affliction                               | T | F |
| * He shall be a mild man   | T | F |
| * His hand shall be against every man and every man's hand against him | T | F |
| * He shall dwell in the presence of all his brethren                   | T | F |

# 16. HAGAR AND ISHMAEL

(GENESIS 16)

A T H E G O D W H O S E E S M  
 I N V T W M E U Y M Y G S U A  
 E A G I I L P S N J M Y J S I  
 Y Q L E L M J Y M L T P L A D  
 D D S M L N B J Q P G T P R S  
 E A E U A O H U P O N I B A E  
 S O T H B Q F G S L I A N I R  
 C Y K A R R D T L T R N S I V  
 E E N G A U N A H P P S L C A  
 N A B A M M O K J E S F P C N  
 D E Y R K E S R D N L M L M T  
 A D E S I P S E D R F O H E G  
 N Q Z E G S C B D A H C R R D  
 T U I S H M A E L P D U L D B  
 S T A D C Z U N R L R R Q X I

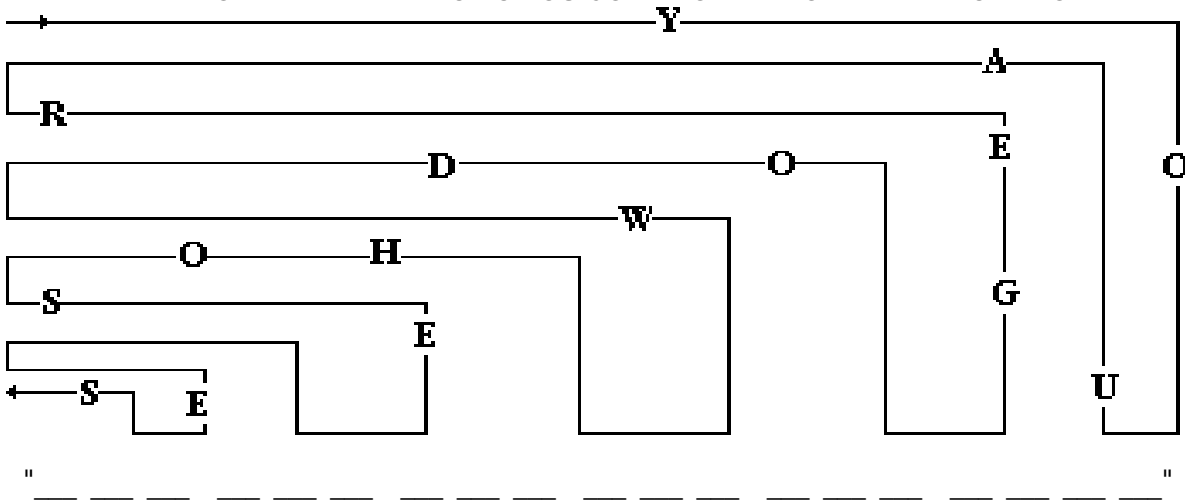
ABRAM  
 ISHMAEL  
 THE GOD WHO SEES  
 EGYPTIAN

HAGAR  
 SUBMIT  
 DESPISED  
 SON

SPRING  
 DESCENDANTS  
 SARAI  
 WILD

ANGEL OF THE LORD  
 MAIDSERVANT  
 WELL  
 FLED

WRITE DOWN THE LETTERS AS YOU COME TO THEM ON THE LINES BELOW



# 16. HAGAR AND ISHMAEL

## (GENESIS 16)

### MEMORY VERSE:

*"Then she called the name of the LORD who spoke to her, You-Are-the-God-Who-Sees; for she said, 'Have I also here seen Him who sees me?'"* GENESIS 16:13

### FILL IN THE BLANKS:

1. "Now Sarai, Abram's wife, had borne him no children. And she had an Egyptian maidservant whose name was \_\_\_\_\_." **GENESIS 16:1**
2. "Sarai said to Abram, 'My \_\_\_\_\_ be upon you! I gave my maid into your embrace; and when she saw that she conceived, I became \_\_\_\_\_ in her eyes.'" **GENESIS 16:5**
3. "So Abram said to Sarai, 'Indeed your maid is in your hand; do to her as you please.' And when Sarai dealt harshly with her, she \_\_\_\_\_ from her presence." **GENESIS 16:6**

### UNDERLINE THE ALL THE CORRECT ANSWERS:

4. "Now the Angel of the LORD found her..." **GENESIS 16:7**

**BY A SPRING OF WATER IN THE WILDERNESS  
UNDERNEATH A TREE  
BY THE SPRING ON THE WAY TO SHUR**

### TRUE OR FALSE:

5. "The Angel of the LORD said to her, 'Return to your mistress, and submit yourself under her hand.'" **GENESIS 16:9**  
**TRUE OR FALSE**
6. "Then the Angel of the LORD said to her, 'I will multiply your descendants exceedingly, so that they shall not be counted for multitude.'" **GENESIS 16:10**  
**TRUE OR FALSE**

### FILL IN THE BLANKS:

7. "And the Angel of the LORD said to her:..." **GENESIS 16:11-12**
  - \* Behold, you are with \_\_\_\_\_
  - \* And you shall bear a \_\_\_\_\_
  - \* You shall call his name \_\_\_\_\_
  - \* The LORD has heard your \_\_\_\_\_
  - \* He shall be a \_\_\_\_\_ man
  - \* His hand shall be \_\_\_\_\_ every man and every man's hand \_\_\_\_\_ him
  - \* He shall \_\_\_\_\_ in the presence of all his brethren

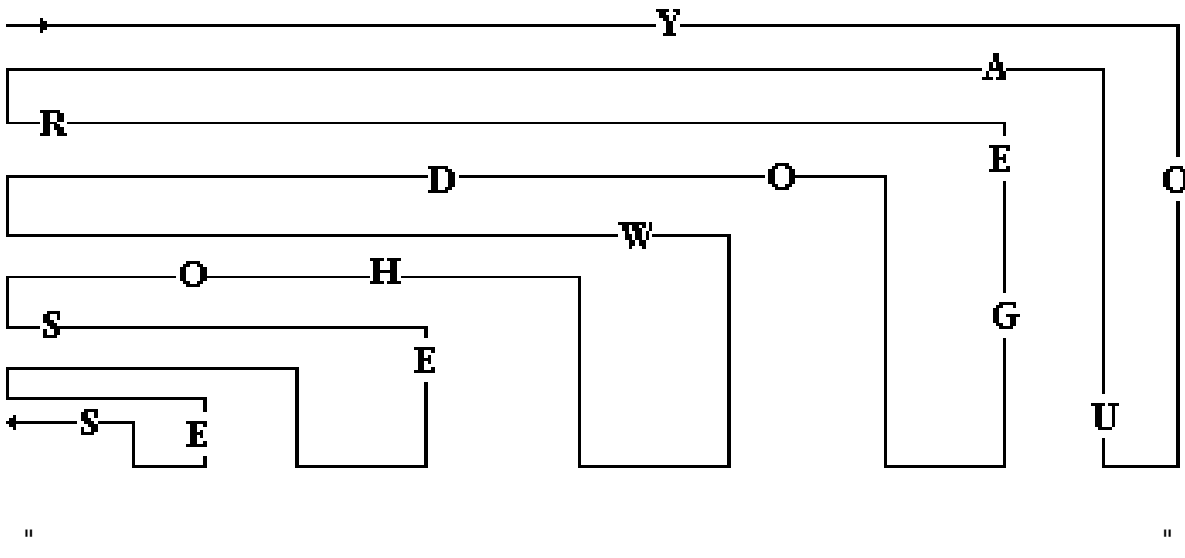
# 16. HAGAR AND ISHMAEL

## (GENESIS 16)

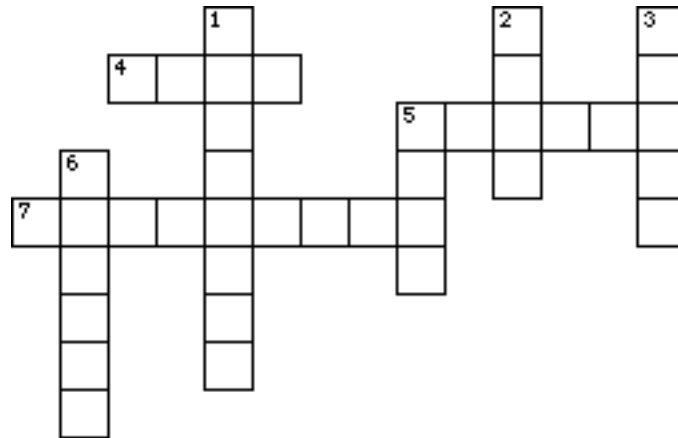
D N F F J N O E W P L K C H E I T X I P K Z E R P  
 E G H H B R F A U N S P V Q P J V V B S X A A P G  
 S X P A B P V W F U V Z T O T S R Q U C H U Y J C  
 C G J W R I X L I O R Y W E C U F D L D P M N P J  
 E R T X B Q S Z X F C Y H W S E E V P T P E A Q N  
 N Q B P K D V X G L M T I M B U S S M X U F I E H  
 D I I E E J M P Y L L O P E C A J M C D Z P T X L  
 A P A T N A V R E S D I A M H V O C C E V T P Q E  
 N H M S F Q A J P M B J J B U D U Z V S F O Y F D  
 T Z X G J R Z H Y S X F H K E Q G L Z P R N G G B  
 S I T D T D S G B Z A A Q S C E F U K I K I E A Y  
 R V Y E E L O E D F C H O U N N K T F S K J U M K  
 E V L P J I N U R P W A A H Q R D M K E Y J H M K  
 U B I Z Z W S W C G J H W P L Y B O S D R Y A A J  
 W Q S E E S O H W D O G E H T E R A U O Y T E O M  
 J Y O C Z I H D G K U Z V E K Y K E M G G H C K V  
 N E V C K L M W D E L F M V D D K M O N I G N C W  
 S L Q Q M A R B A B K Y F A D J A X A I K F A Y Z  
 Z N Z I C S X Y R U O N S R O R T I T R U Y I U W  
 K V U W T T S P G K I J W L K A W A M P A Q Z D E  
 A N G E L O F T H E L O R D Q G L R Z S V D S Y L  
 B Q A Z I F V Z N C T T U W K A A A J X X C N G L  
 Z T N K O A O W G U E P D J L H P S S G O M C T F  
 F A M K T Y J B Z M J L S U W I P N M E U P Z I I  
 H Q G Q A Y J M J D K J J O K P A O X I V O X I Z

- |          |          |             |                          |
|----------|----------|-------------|--------------------------|
| ABRAM    | HAGAR    | SPRING      | ANGEL OF THE LORD        |
| ISHMAEL  | SUBMIT   | DESCENDANTS | MAIDSERVANT              |
| WELL     | DESPISED | SARAI       | WILD                     |
| EGYPTIAN | SON      | FLED        | YOU ARE THE GOD WHO SEES |

WRITE DOWN THE LETTERS AS YOU COME TO THEM ON THE LINES BELOW



## 16. HAGAR AND ISHMAEL (GENESIS 16)



- 5 DOWN "Then she called the name of the LORD who spoke to her, You-Are-the-God-Who-Sees; for she said, 'Have I also here seen Him who \_\_\_\_\_me?' " **GENESIS 16:13**
- 3 DOWN "Now Sarai, Abram's wife, had borne him no children. And she had an Egyptian maidservant whose name was \_\_\_\_\_." **GENESIS 16:1**
- 1 DOWN "Sarai said to Abram, 'I have become \_\_\_\_\_ in her eyes.'" **GENESIS 16:5**
- 4 ACROSS "So Abram said to Sarai, 'Indeed your maid is in your hand; do to her as you please.' And when Sarai dealt harshly with her, she \_\_\_\_\_ from her presence." **GENESIS 16:6**
- 5 ACROSS "Now the Angel of the LORD found her by a \_\_\_\_\_ of water in the wilderness, by the spring on the way to Shur." **GENESIS 16:7**
- 6 DOWN "The Angel of the LORD said to her, 'Return to your mistress, and \_\_\_\_\_ yourself under her hand.'" **GENESIS 16:9**
- 7 ACROSS "Then the Angel of the LORD said to her, 'I will multiply your descendants exceedingly, so that they shall not be counted for \_\_\_\_\_.'" **GENESIS 16:10**
- 2 DOWN "And the Angel of the \_\_\_\_\_ said to her, 'Behold, you are with child, and you shall bear a son. You shall call his name Ishmael, because the LORD has heard your affliction.'" **GENESIS 16:11**